

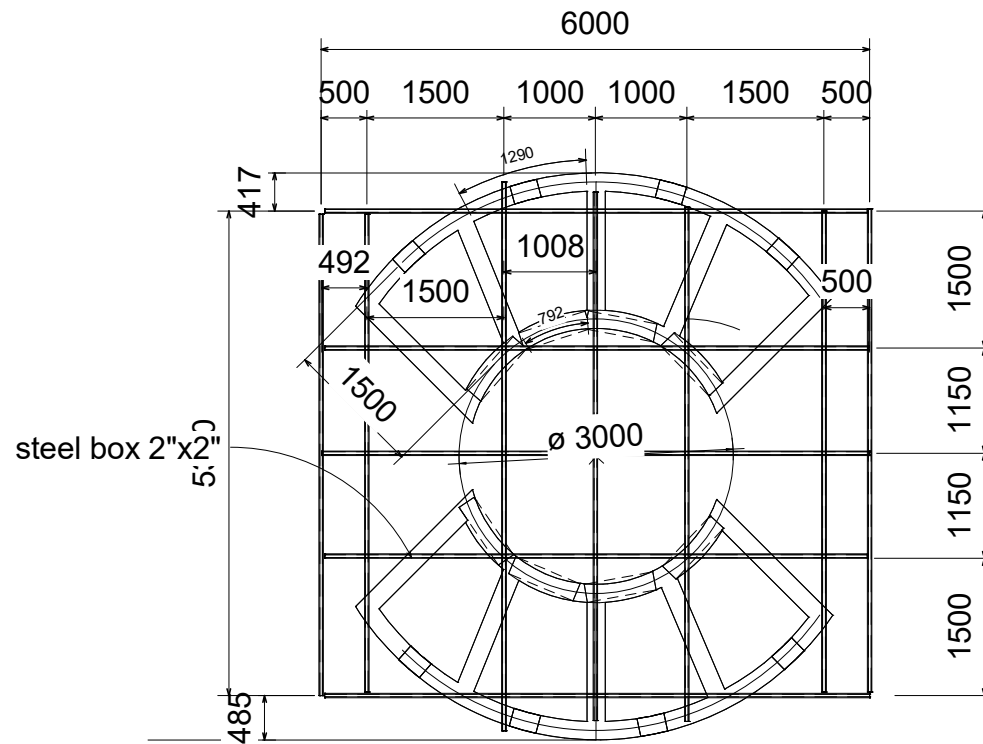


PROJECT :

SCHOOL
LATRINE

NAME :

ROOF WITH
ZINK and steel
box LAYOUT



1 ROOF
1 : 50